

For reference only. See data sheet for the detailed specifications.

## Technical Specification



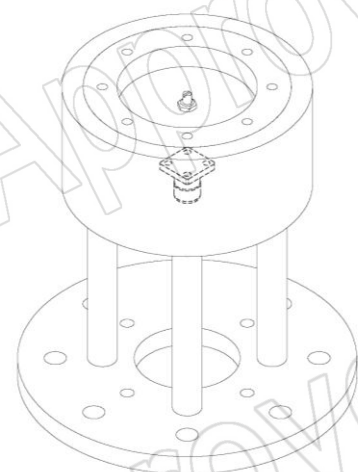
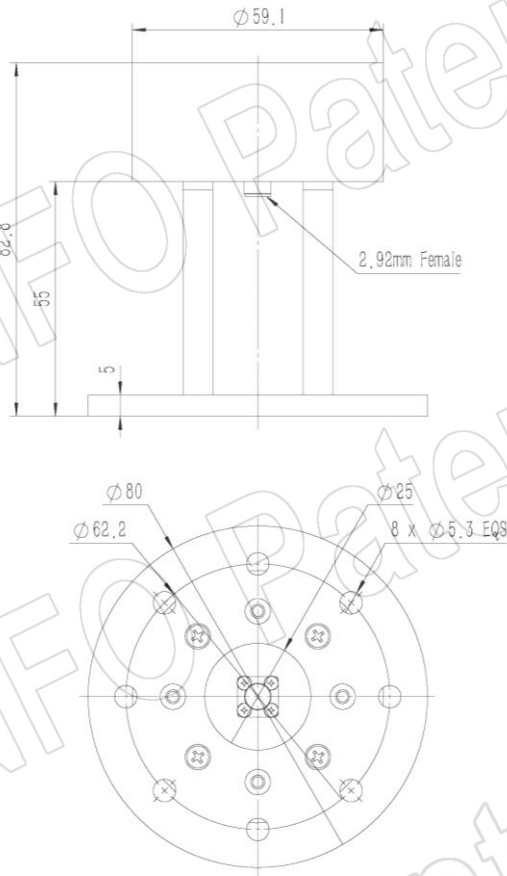
Frequency Range(GHz)	3.0 – 40.0
Gain(dBi)	3 Typ.
Polarization	Vertical
VSWR	2.0:1 Typ.
Connector	2.92mm-Female
Power Handling (W CW)	30 Max.
Operating Temp.(°C)	-40~+80
Material	Al
Size(mm)	80 x 80 x 82.8
Net Weight(Kg)	0.20 Around

**PATENT ID (China)**

**ZL202220801477.X, ZL201630454726.2**

## Outline Drawing (Size: mm)

2.92mm-Female output (P/N: SZ-3004000/P)



**AINFO Inc.**

Page 1 of 17

China(Beijing):  
 China(Chengdu):  
 USA :

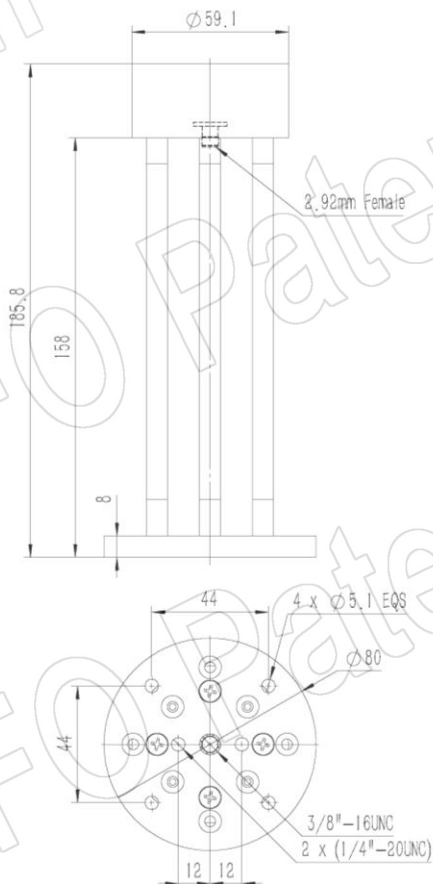
Tel: (+86) 10-6266-7326,  
 Tel: (+86) 28-8519-2786,  
 Tel: (+1) 949-639-9688,

(+86) 10-6266-7327  
 (+86) 28-8519-3044  
 (+1) 949-639-9608

Fax: (+86) 10-6266-7379  
 Fax: (+86) 28-8519-3068  
 Fax: (+1) 949-639-9670

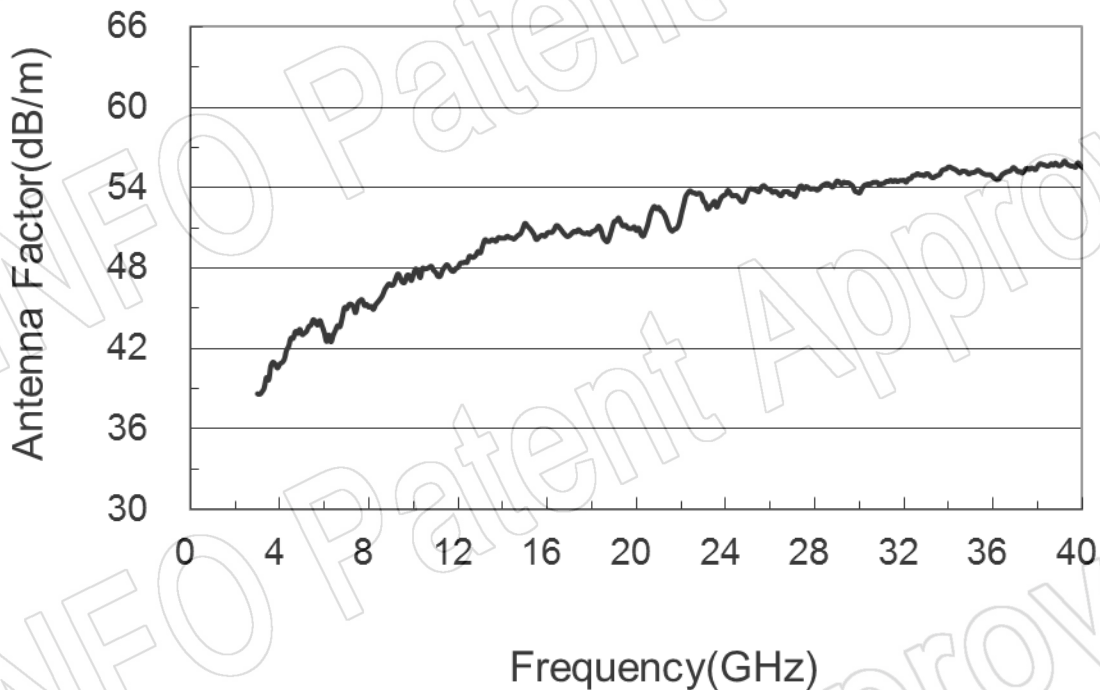
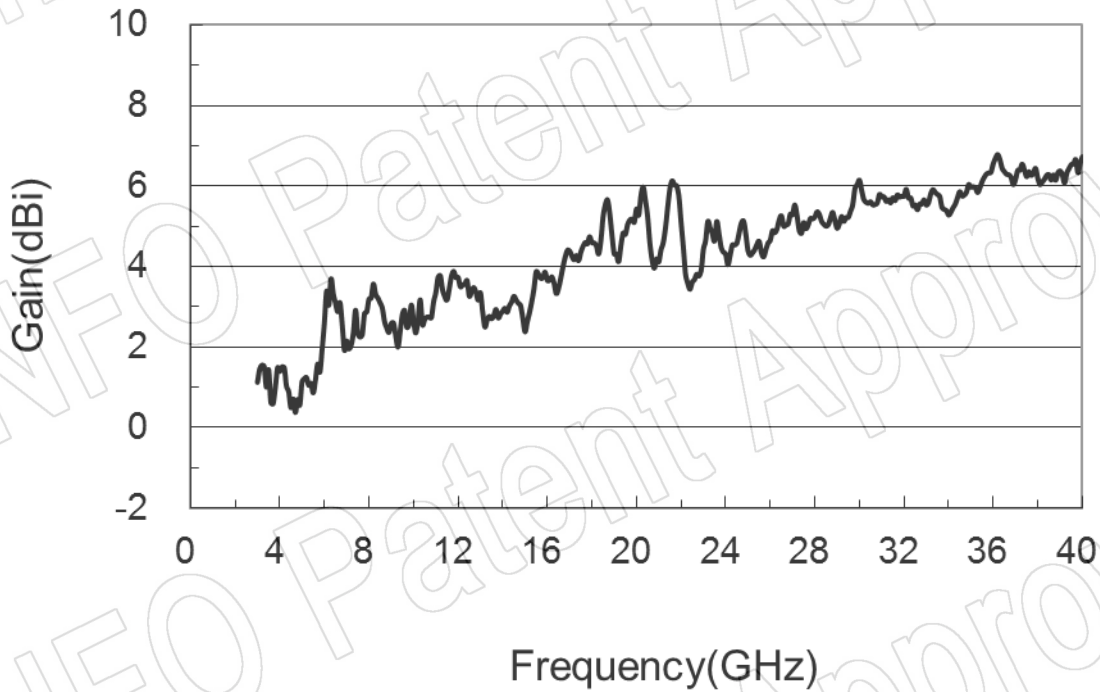
Website: [www.ainfoinc.com](http://www.ainfoinc.com)  
 Email: [sales@ainfoinc.com](mailto:sales@ainfoinc.com)

2.92mm-Female output with Round Mounting Bracket (Option, P/N: SZ-4004000/P-MB2)

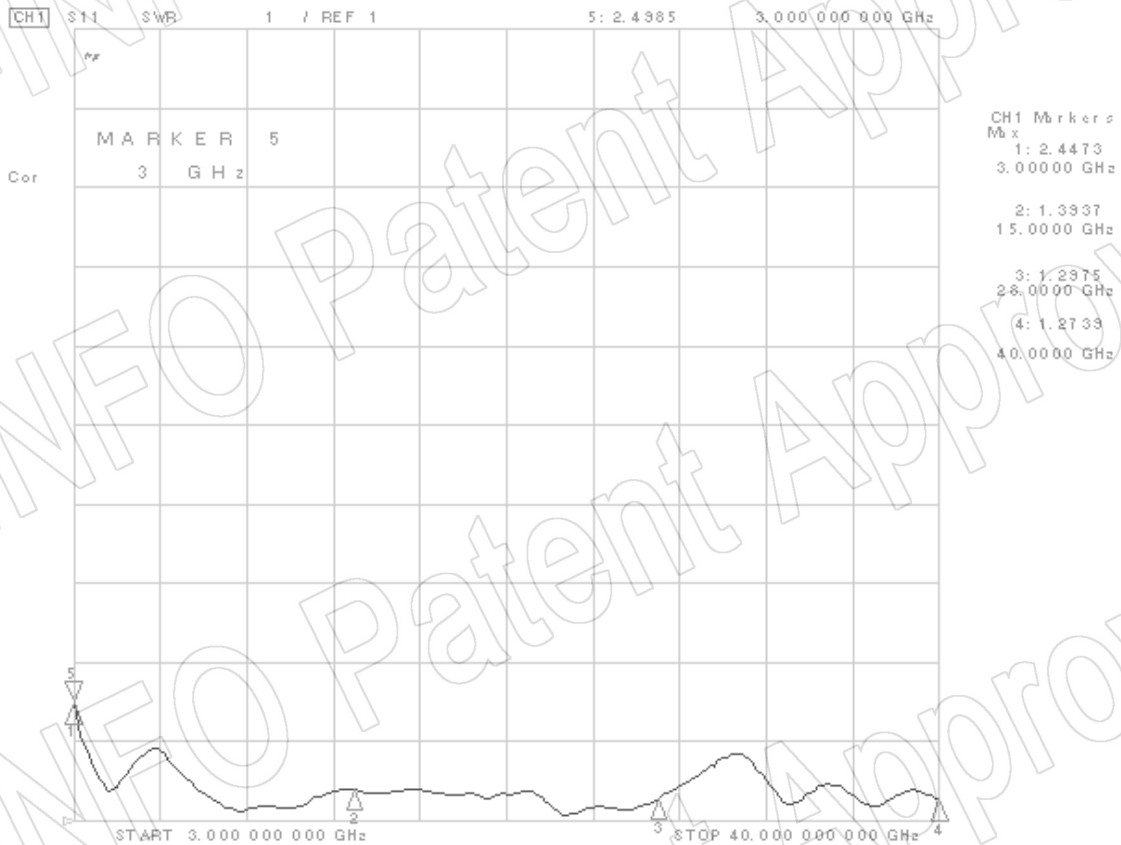


## Test Results

### 1. Gain & Antenna Factor



## 2. VSWR



## 3. Pattern

